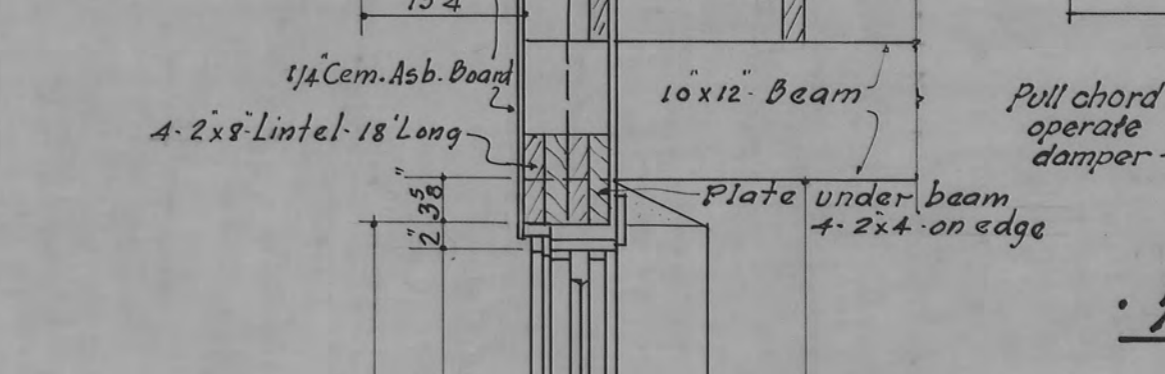
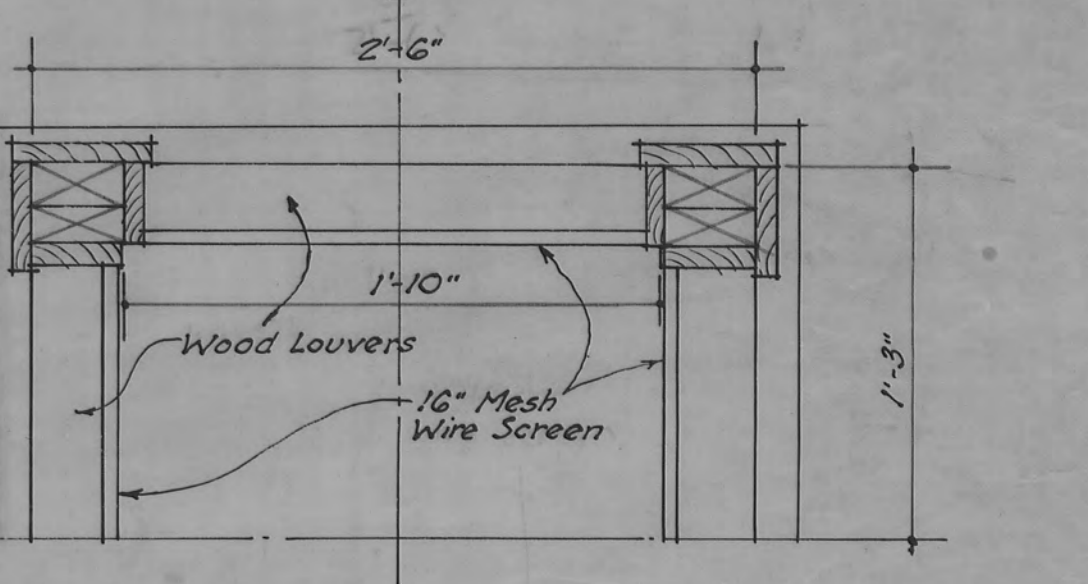
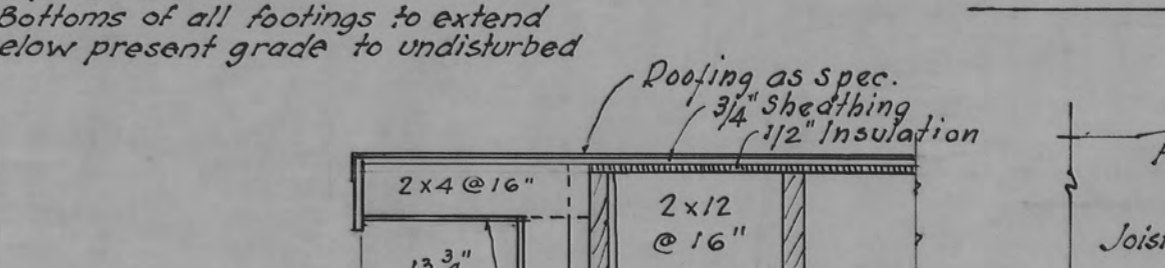
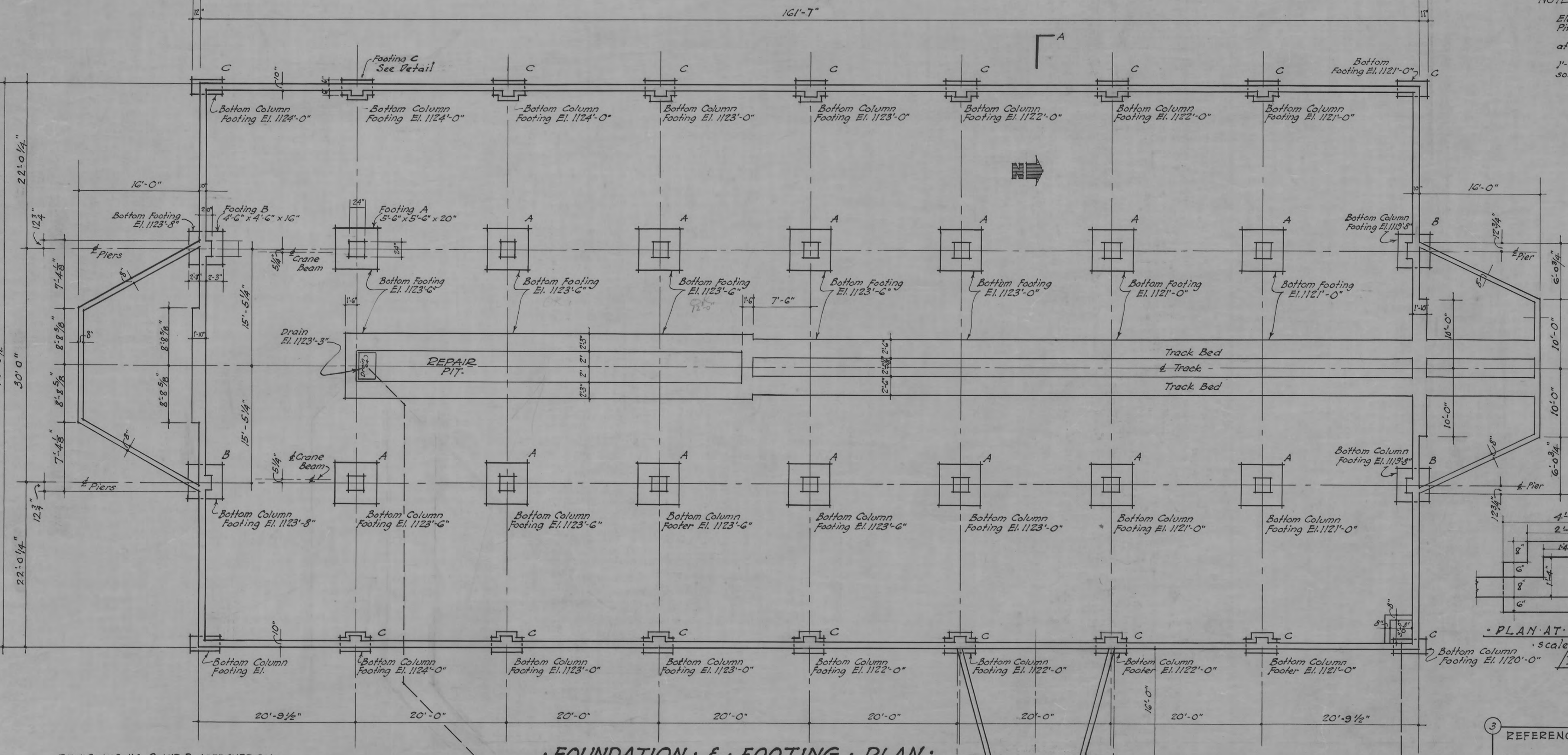


**NOTE -**  
Omit all reinforcing steel bars below Elev. 1129'-0", except in Locomotive Repair Pit.  
Steel in top of Repair Pit slab to be at least 1/8" x 4" cross.  
Bottoms of all footings to extend 1'-0" below present grade to undisturbed soil.

**PLAN DETAILS**  
Scale 3/8" = 1'-0"



Wall section & plan details added and foundation plan revised to conform to concrete block construction.  
BUILDING NO. U-4

**THE JENNINGS - LAWRENCE CO.**  
ARCHITECT-ENGINEER  
COLUMBUS, O.      RAVENNA, O.

SCALE As Noted      CONSTRUCTION DIVISION  
OFFICE OF THE CHIEF OF ENGINEERS

**PORTAGE ORDNANCE DEPOT**  
MACHINE SHOP  
FOOTING PLANS & DETAILS

|           |         |          |            |                       |               |
|-----------|---------|----------|------------|-----------------------|---------------|
| REVISIONS | DATE    | DRAWN BY | CHECKED BY | APPROVED BY DIRECTION | DATE          |
| 1         | 4-12-43 | A.T.     |            |                       | June 27, 1942 |
| 2         | 7/16/44 | A.B.     |            |                       | PLAN NUMBER   |
| 3         | 9/2/44  |          |            |                       | 6988-612      |

**REFERENCE DRAWING LIST:**

- ALB-28-1 .. U.S. Eng. Office - Rev. J.L. Co.
- ALB-29 .. U.S. Eng. Office - Rev. J.L. Co.
- ALB-30 .. U.S. Eng. Office - Rev. J.L. Co.
- ALB-31 .. U.S. Eng. Office - Rev. J.L. Co.
- ALB-28J = New No. 6988.612-1 T.H. & Assoc.
- ALB-29 = " 6988.612-2 "
- ALB-30 = " 6988.612-3 "
- ALB-31 = " 6988.612-4 "

APPROVED  
*Marvin L. Kaper*  
MARVIN L. KAPER  
MAJORS ORD. DEPT.  
COMMANDING OFFICER

DRAWING REVISED PER FIELD SURVEY  
DATE JULY 16, 1936  
CONTRACT NO. DA-11-173-ORD-65  
TRYGVE HOFF & ASSOCIATES  
REV. BY K.C.      CHK'D BY F.N.M.  
See Gen. Plan 6988-326A

NOTE -  
See Sheet No. C-59  
for Heat Duct and  
Pit Drain Plans.  
Dwg# 6988.611

REVISIONS NO. 2 AND 3 APPROVED BY -  
L. H. BAYON - PLANT ENGINEER  
C. H. WILLISTON - ASST. GEN'L. MANAGER  
C. W. MELDRUM - LT. COL. ORD. DEPT. COMMANDING