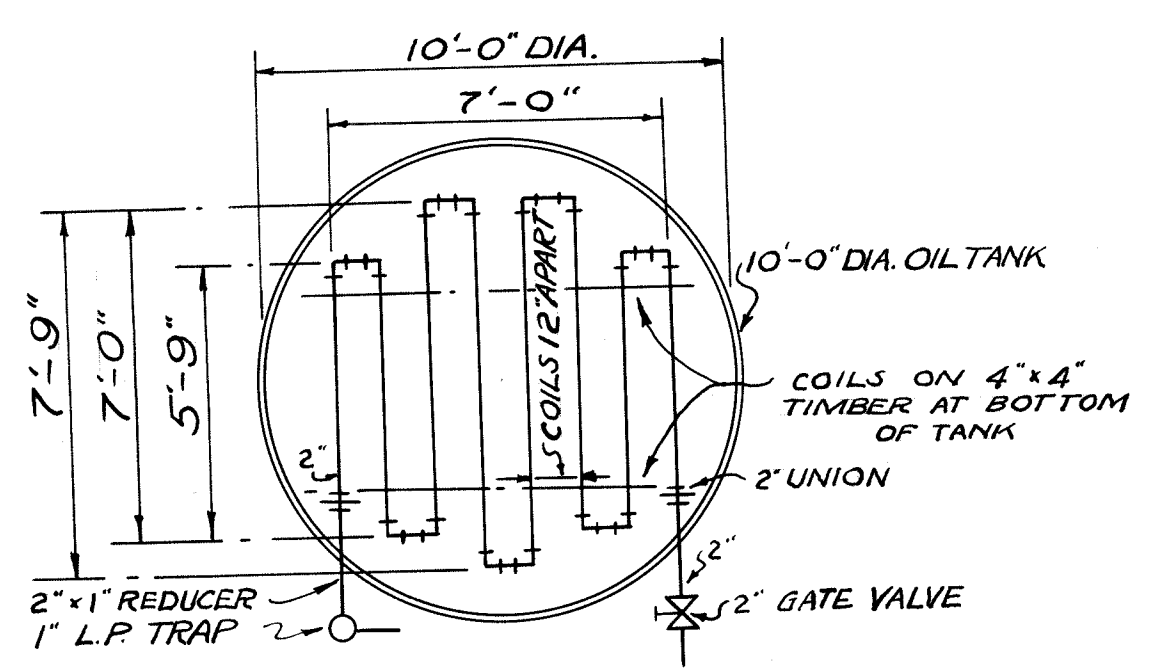
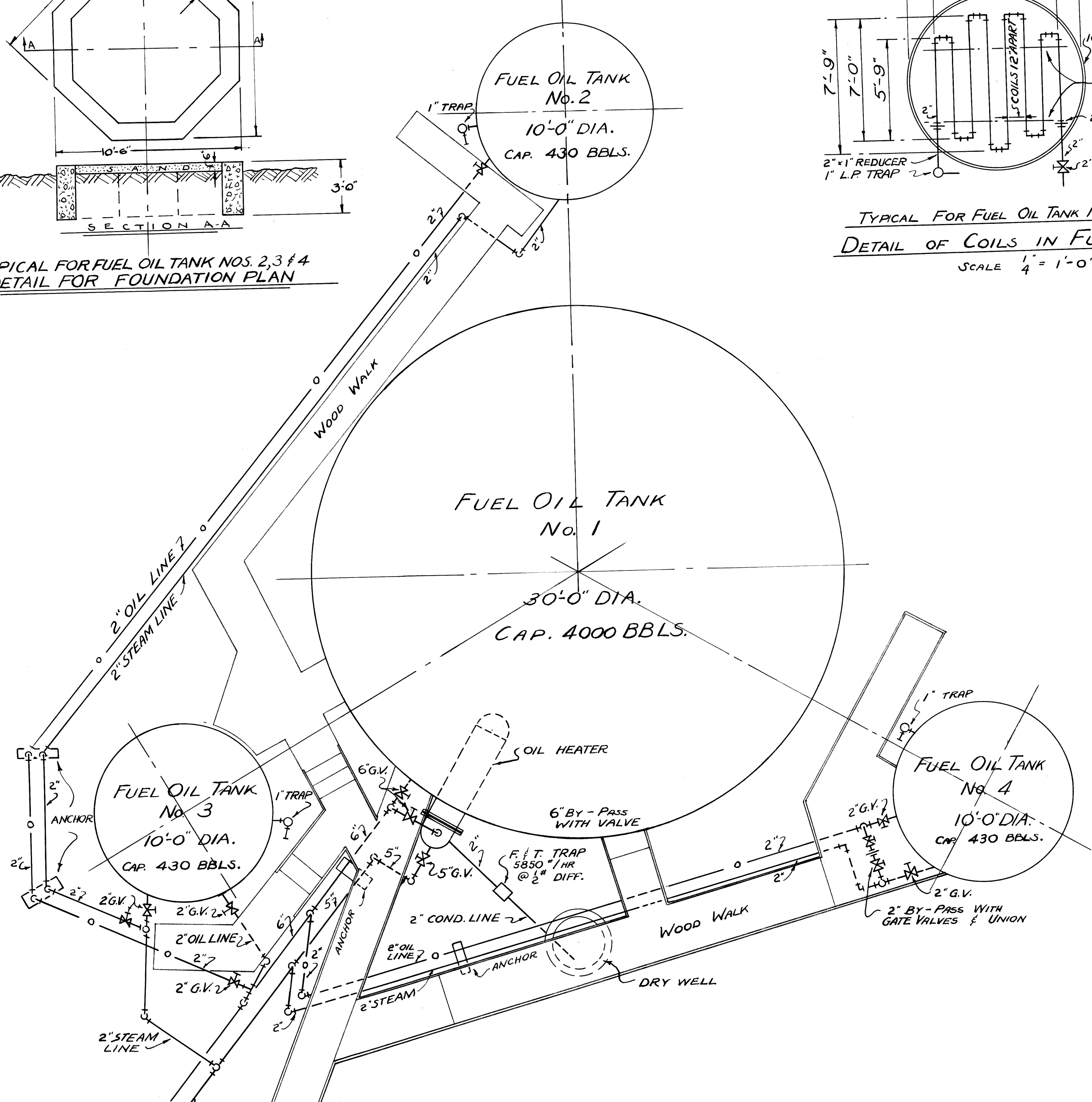


TYPICAL FOR FUEL OIL TANK NOS. 2, 3 & 4  
DETAIL FOR FOUNDATION PLAN

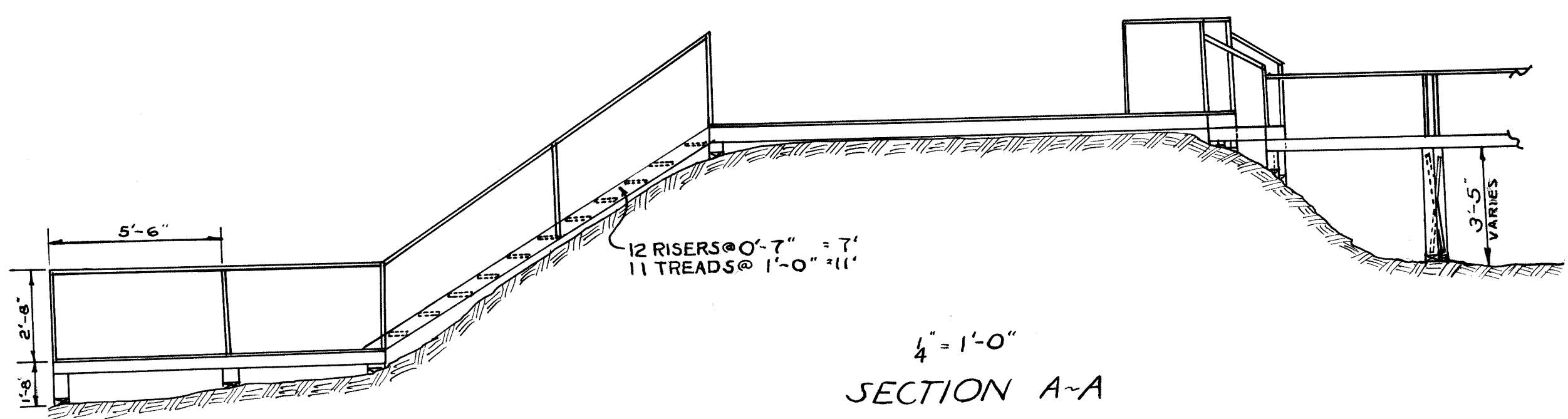


TYPICAL FOR FUEL OIL TANK NOS. 2, 3 & 4.  
DETAIL OF COILS IN FUEL OIL TANK  
SCALE 1/4" = 1'-0"

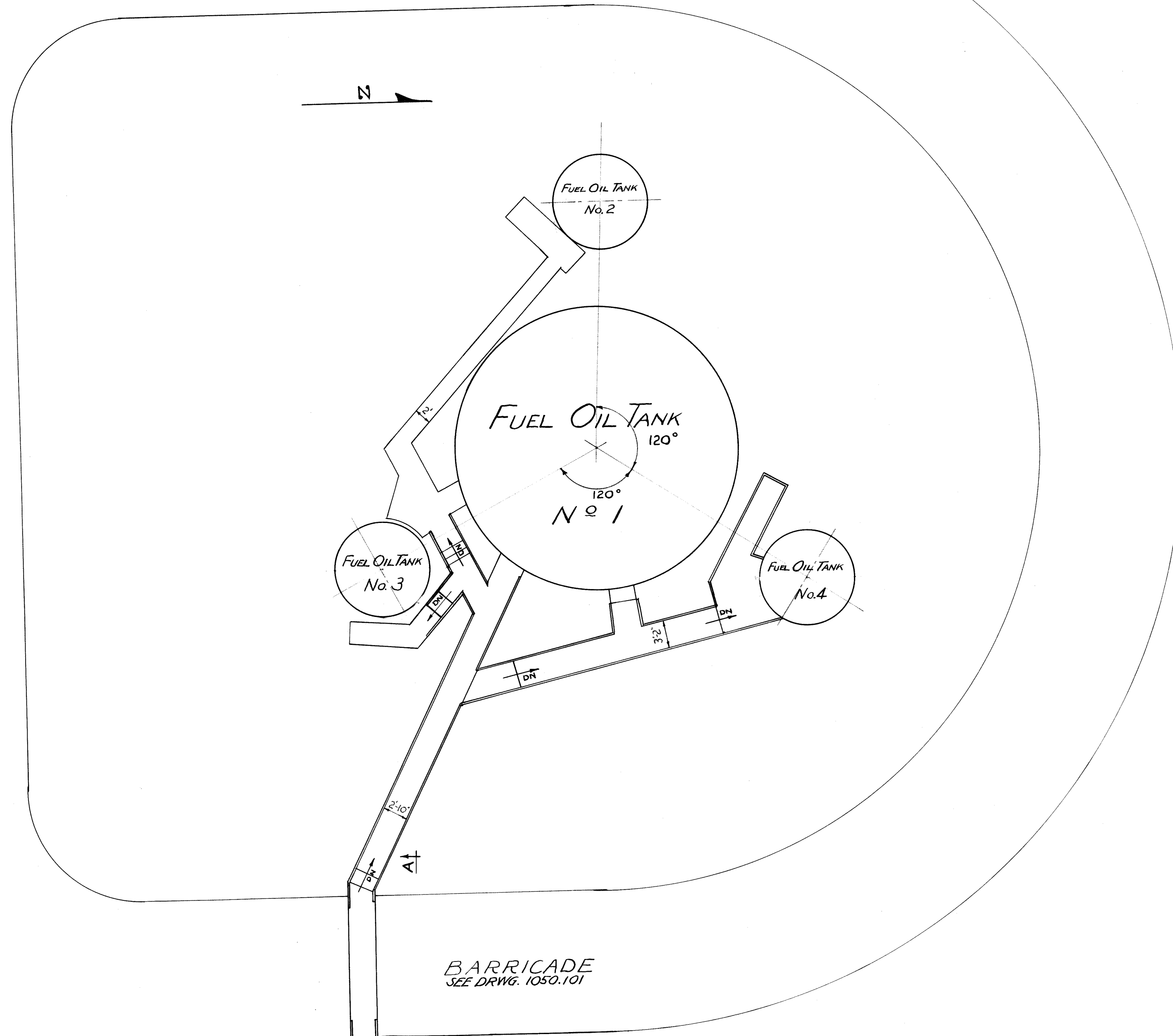


PLAN OF OIL & STEAM PIPING FOR OIL TANKS  
SCALE 1/4" = 1'-0"

TO PUMP HOUSE  
FOR CONTINUATION  
SEE DRWG. NO. 1056.401



1/4" = 1'-0"  
SECTION A-A



PLAN FOR WOOD WALKS AROUND  
FUEL OIL STORAGE TANKS  
SCALE 1/8" = 1'-0"

BARRICADE  
SEE DRWG. 1050.101

FOR REFERENCE SEE DRWG. 1050.2  
1056.401  
1050.101

<b>TRYGVE HOFF AND ASSOCIATES ENGINEERS</b>			
TRYGVE HOFF A.S.C.E. OHIO REG. ENG. NO. 7785		CLEVELAND, OHIO	
SCALE	DRAWN AS PER FIELD SURVEY		
AS NOTED	CONTRACT NO. DA-11-173-ORD.-65		
REVISIONS	<b>RAVENNA ORDNANCE PLANT</b>		
	TRANSPORTATION AREA		
	FUEL OIL STORAGE TANKS		
	STEAM & OIL PIPING & WOOD WALKWAYS		
DRAWN BY	CHECKED BY	APPROVED BY	DATE 7-11-53
KACZOR	A. J. M.	[Signature]	PLAN No. 6934
TRACED BY			1056.402
KACZOR			LT. COL. ORD. CORPS COMMANDING

APPROVED  
J. C. Dyer  
RAVENNA ARSENAL INC.