

100214



BUILDING

PARKING AREA

A
S
T

PUMP
HOUSE

SOIL SAMPLE LOCATIONS

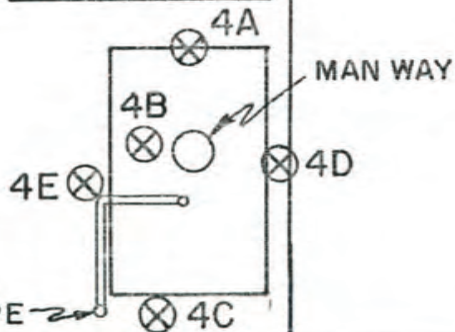
4A — 4E

15,000 GAL. UST

TANK # 4 RA # 23

R. A. I.

RAVENA, OHIO



FILL PIPE

ROADWAY