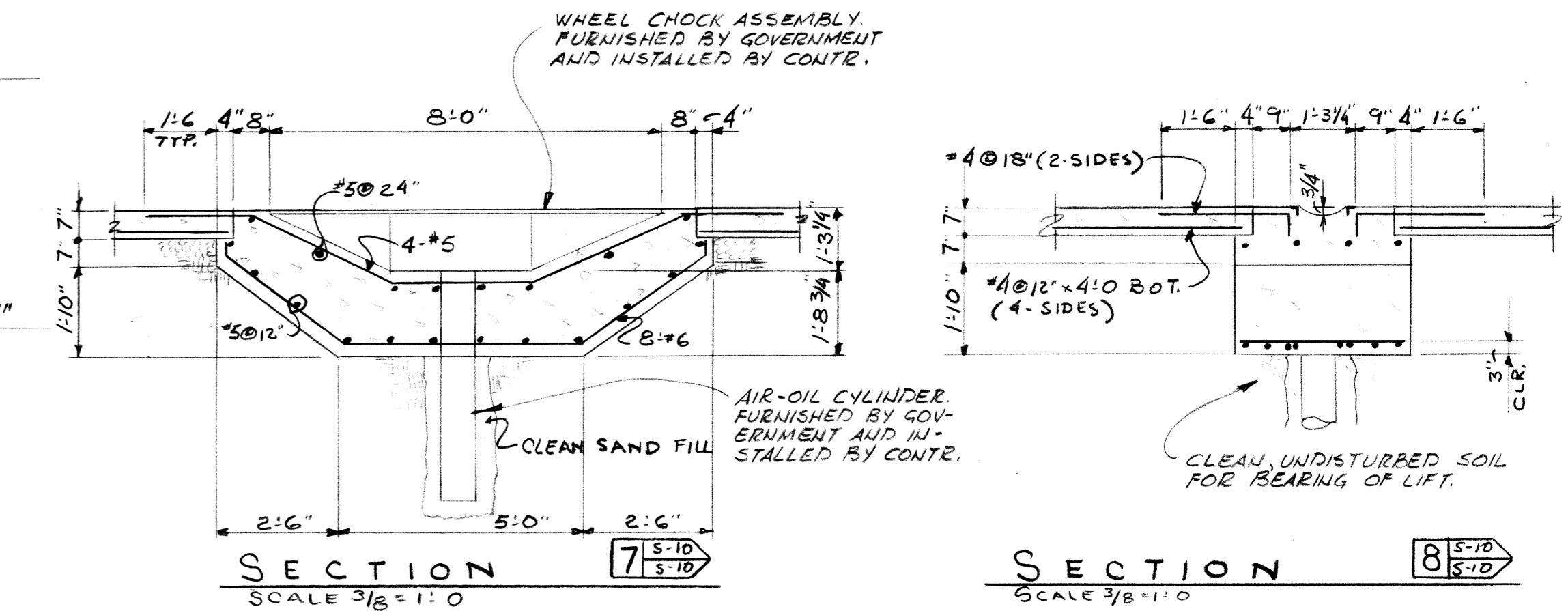


SECTION 10 SCALE 3/8" = 1'-0"

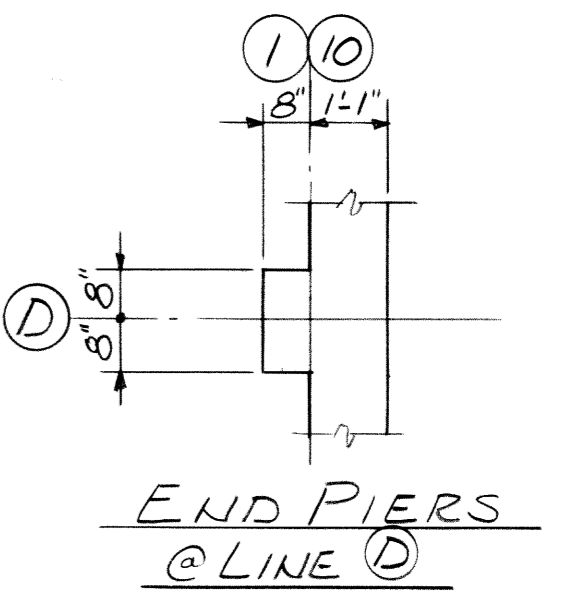
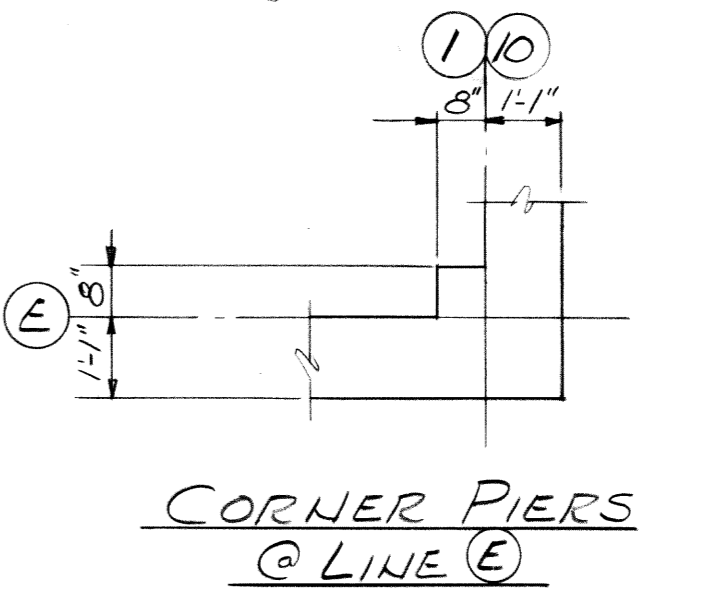
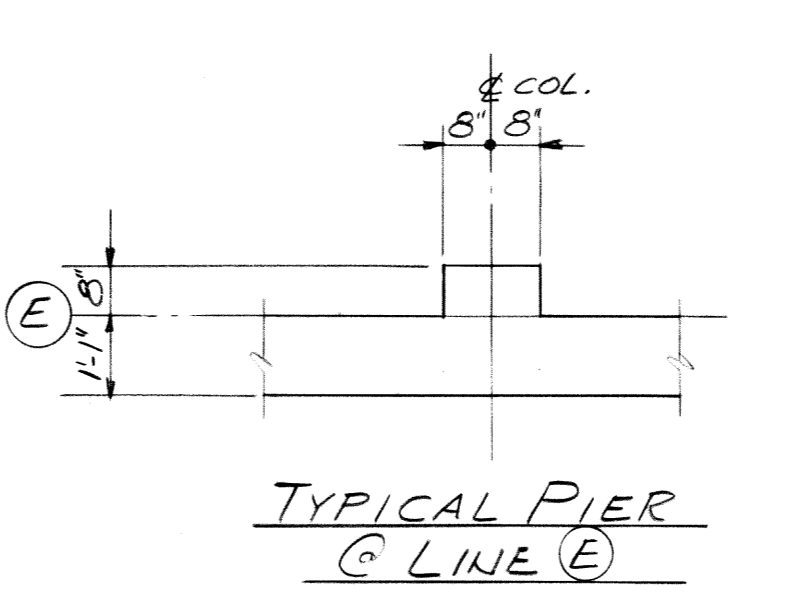
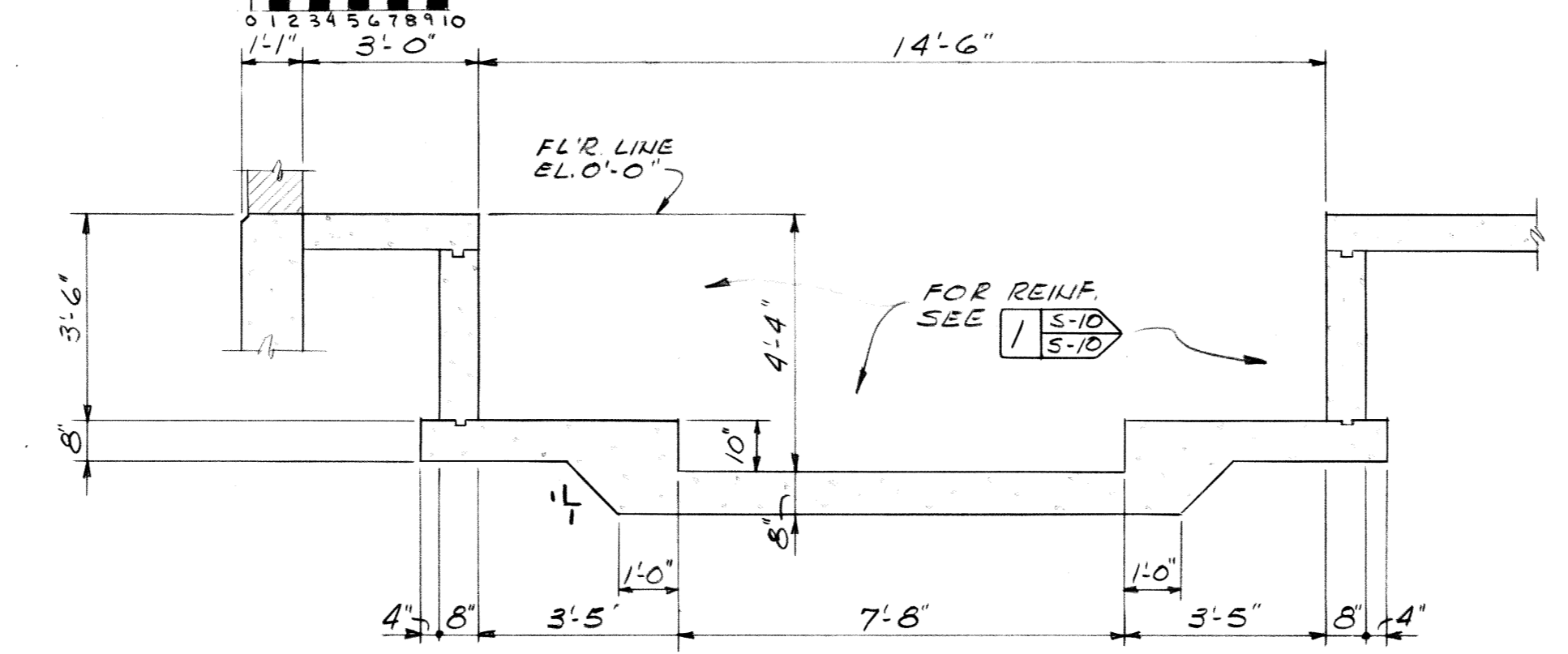
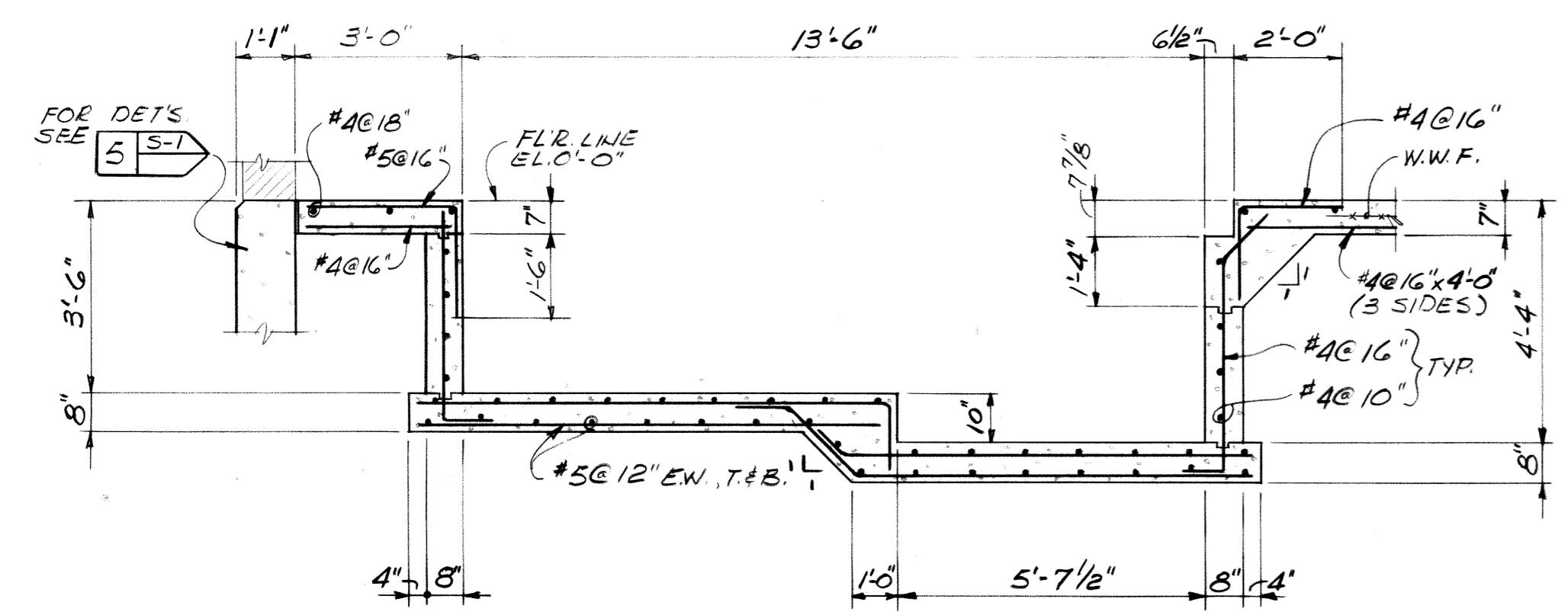


SECTION 7 SCALE 3/8" = 1'-0"

SECTION 8 SCALE 3/8" = 1'-0"

FOUNDATION PLAN

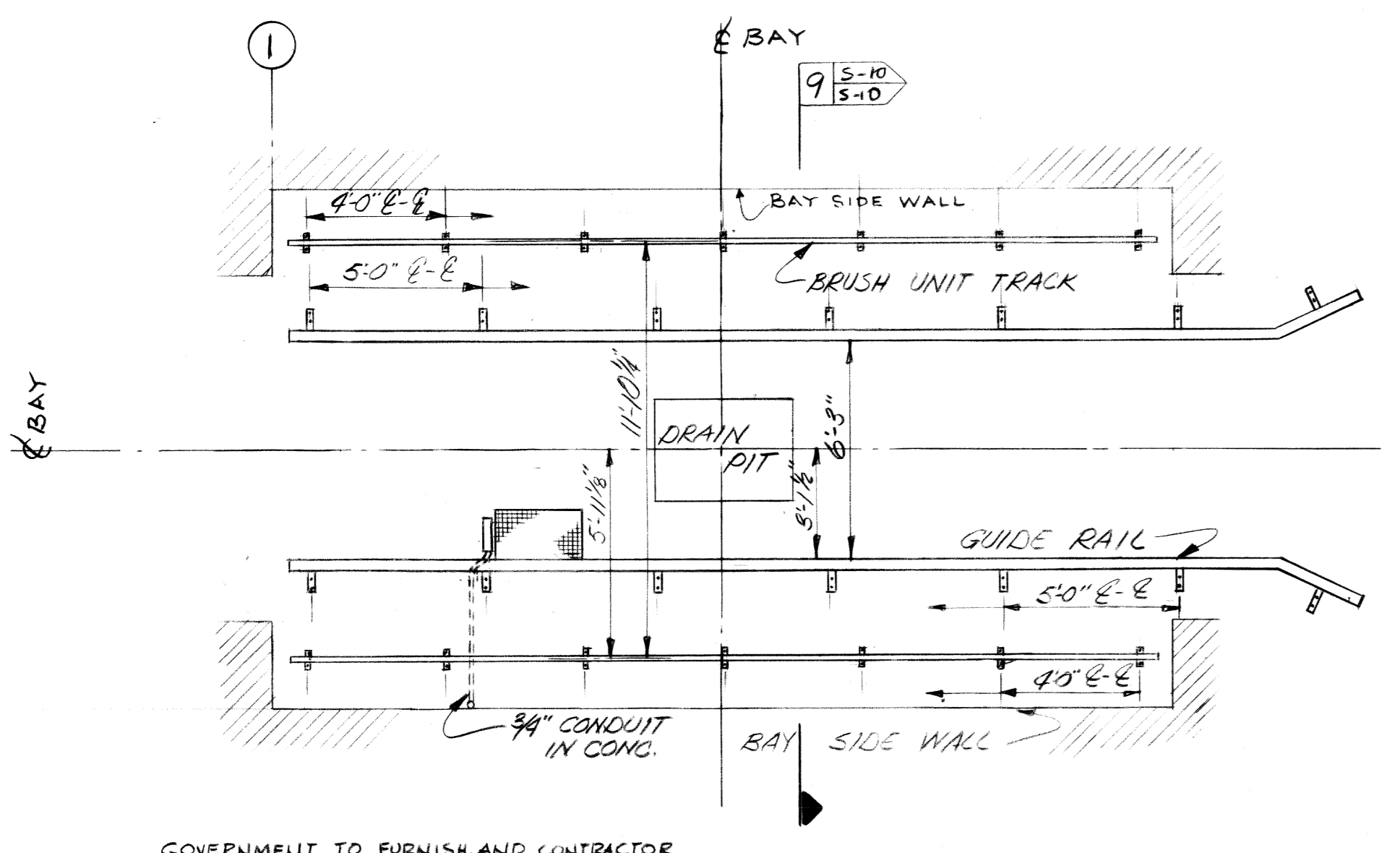
SCALE 3/8" = 1'-0"



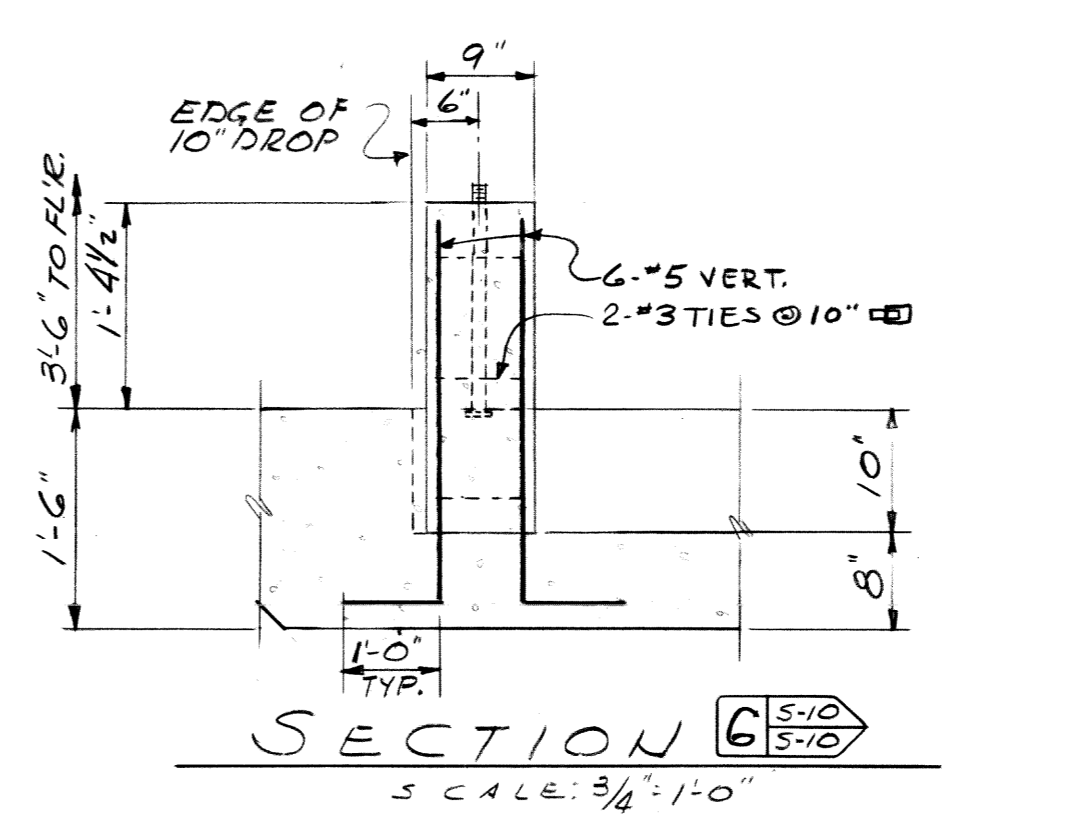
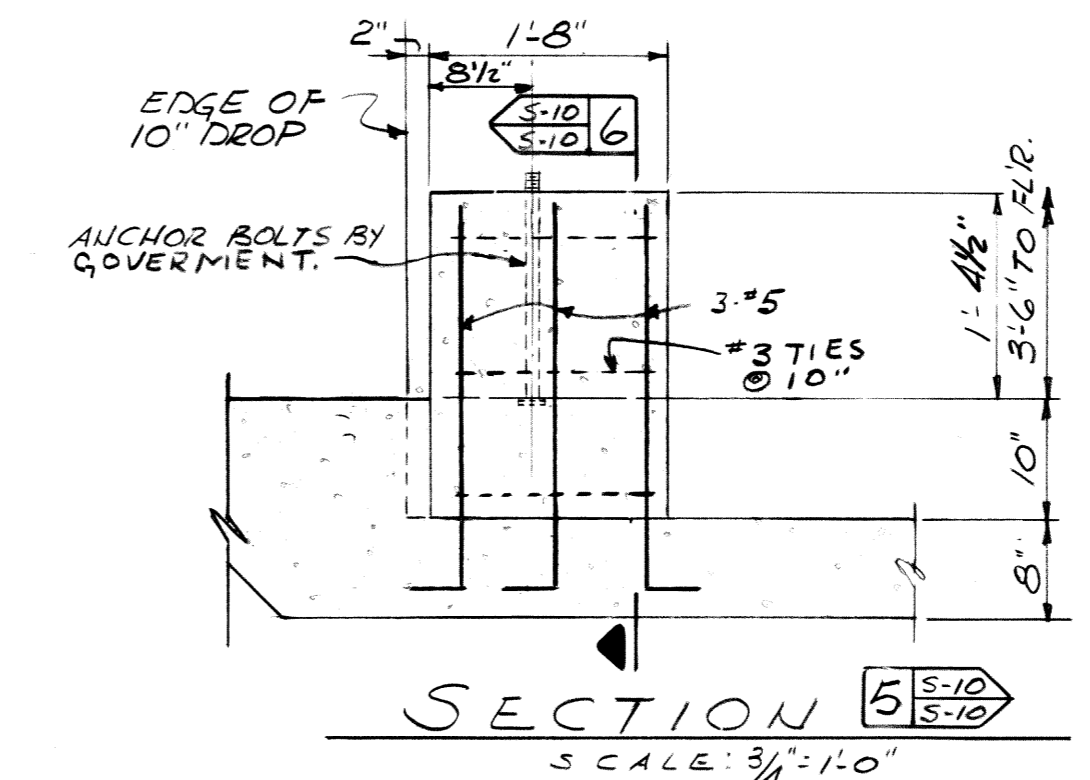
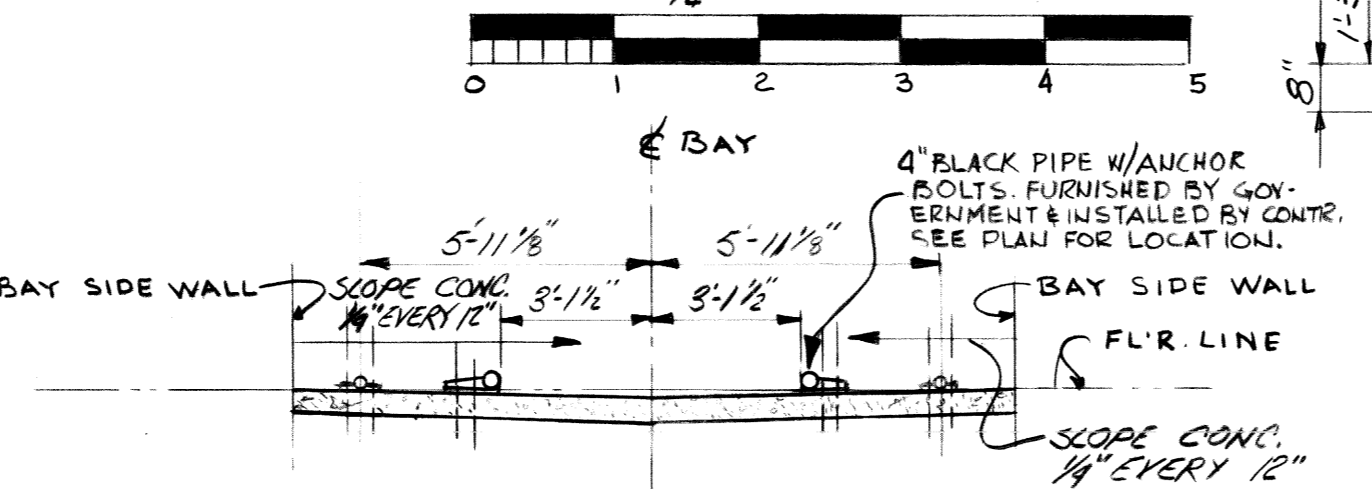
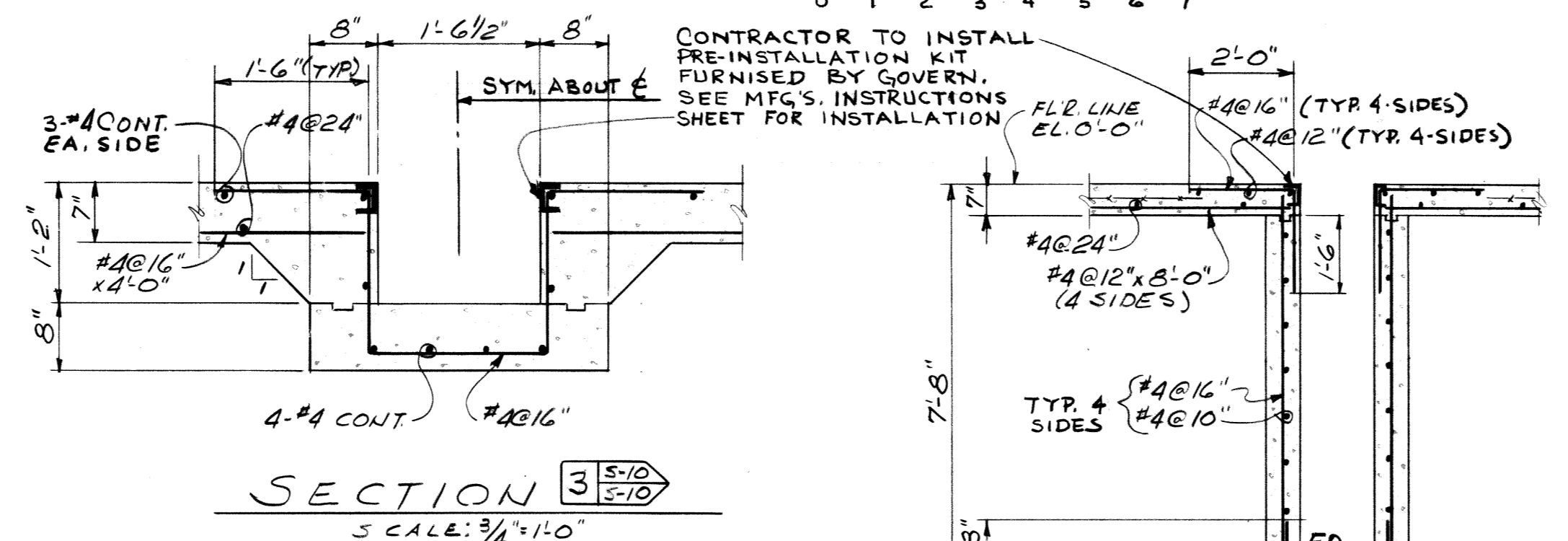
NOTE:  
GENERAL CONTRACTOR AND PLUMBING CONTRACTOR TO CO-ORDINATE CONSTRUCTION OF SEWERS OR OTHER DEEP CONSTRUCTION WITH CONSTRUCTION OF COLUMN AND WALL FOOTINGS SO THAT THE FOUNDATIONS ARE RESTING ON UNDISTURBED BEARING. ALL FOUNDATION UNDERMINEMENT BY EXCAVATION WILL HAVE TO BE REPLACED AND CONSTRUCTED AT THE LOWEST POINT OF UNDERMINEMENT AT NO ADDITIONAL COST TO THE GOVERNMENT. MAINTAIN A SLOPE OF 1 VERTICAL TO 2 HORIZ. BETWEEN THE BOTTOMS OF FOOTING AND SEWER EXCAVATION.

SEE SH. S-1 FOR GENERAL NOTES AND TYP. STEEL & CONG. DETAILS.

ITEM NO 6



GOVERNMENT TO FURNISH AND CONTRACTOR TO INSTALL ALL PARTS CAST INTO CONCRETE FLOOR.



SECTION 9 SCALE 1/4" = 1'-0"

Feb 78 As Constructed		EGH
REVISION	DATE	DESCRIPTION
DALTON • DALTON • LITTLE ARCHITECTS • ENGINEERS		U.S. ARMY ENGINEER DISTRICT, LOUISVILLE CORPS OF ENGINEERS LOUISVILLE, KENTUCKY
DESIGNED: M.H.	RAVENNA ARMY AMMUNITION PLANT RAVENNA OHIO	
DRAWN: E.H.P.	REHABILITATION OF PLANT FACILITIES & UTILITIES	
CHECKED: M.H.	AUTO & TRUCK MAINTENANCE BUILDING FOUNDATION PLAN	
SUBMITTED: P.C.	DATE: 2-17-70	
SCALE: AS SHOWN	DRAWING NUMBER: S-10 AS-BLT 37-01-08	