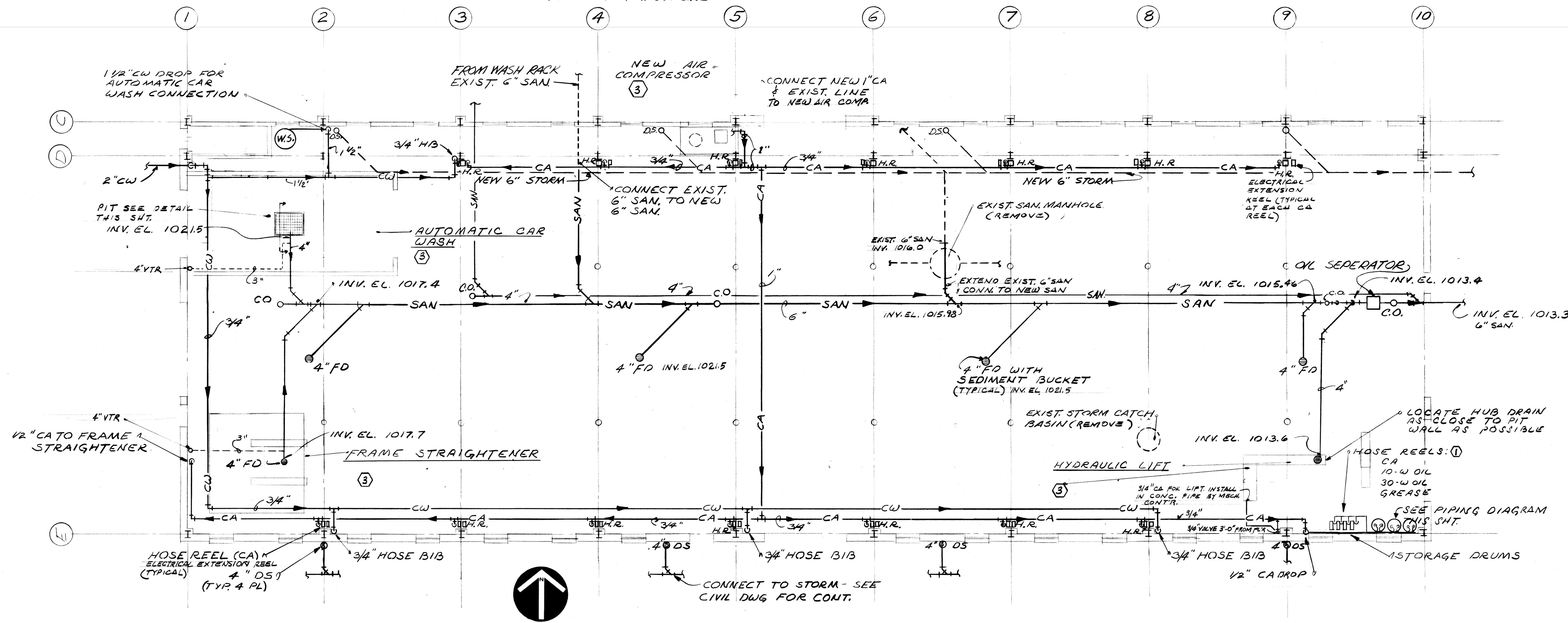
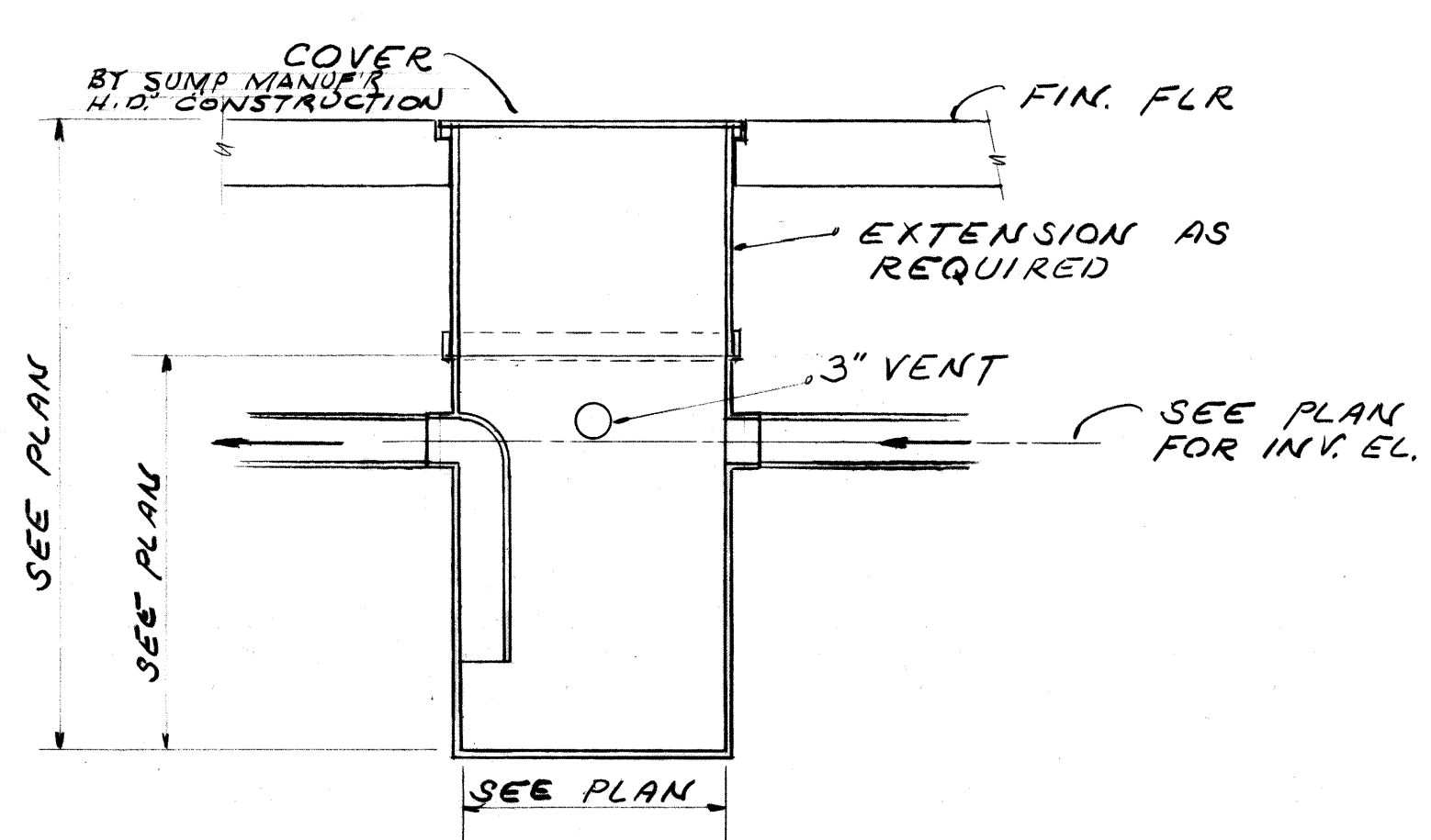


NOTE: ALL EXIST'G SAN LINES WHICH ARE ACTIVE & EXTEND FROM EXIST'G BUILD'G WHICH ARE FOUND DURING CONSTRUCTION; NOT SHOWN ON THIS PLAN SHALL BE CONNECTED TO THE NEW SAN LINE

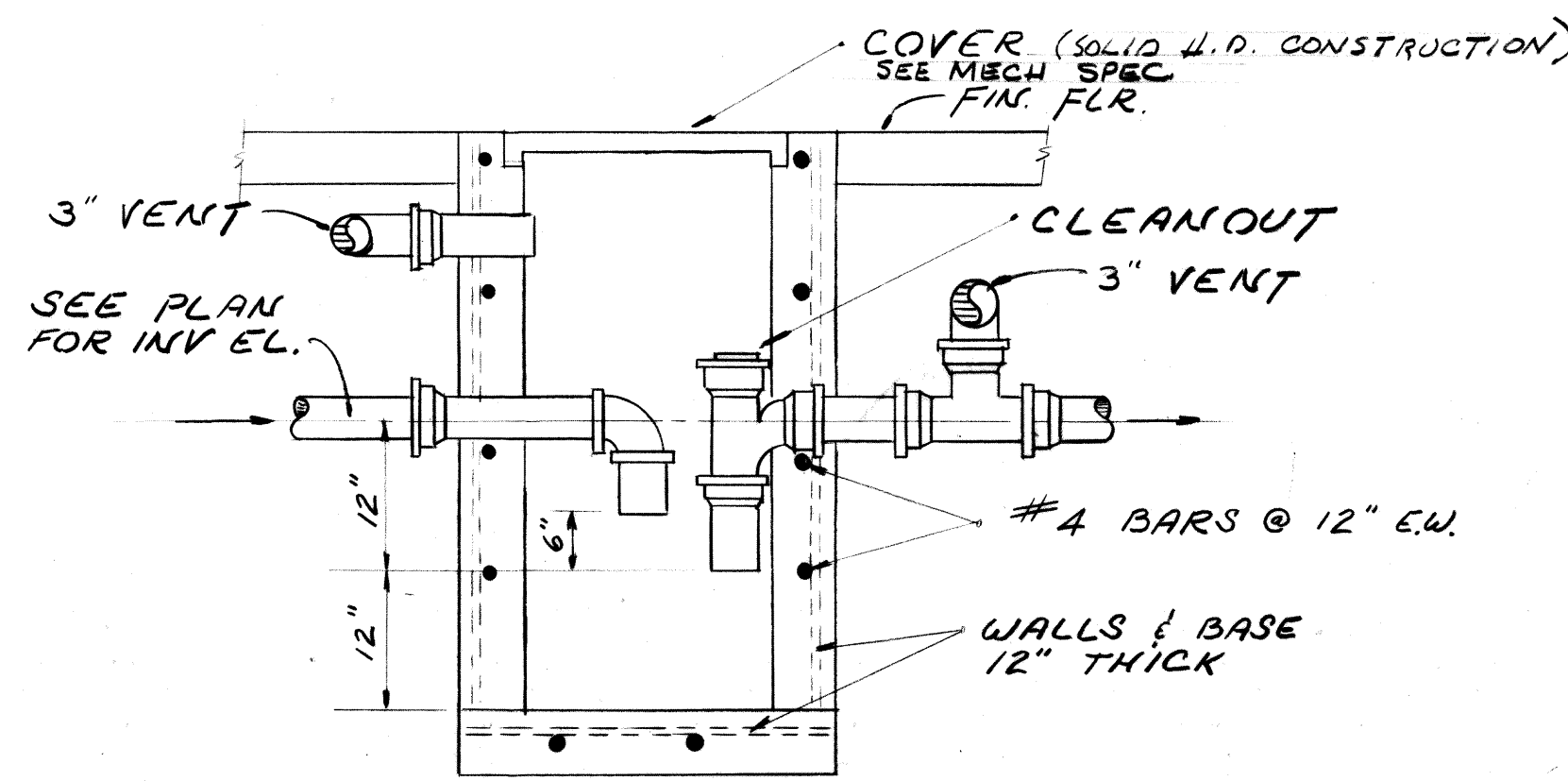


PLUMBING FLOOR PLAN - AUTO & TRUCK MAINTENANCE BUILDING

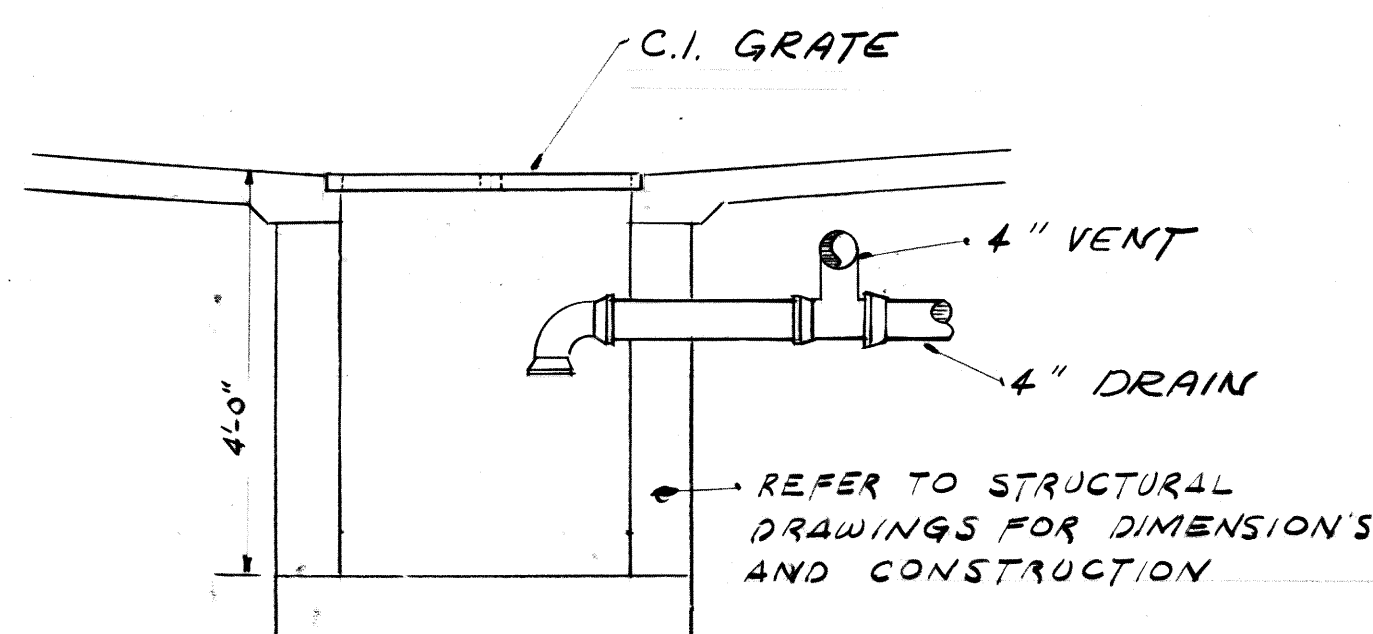
SCALE 1/8" = 1'-0"



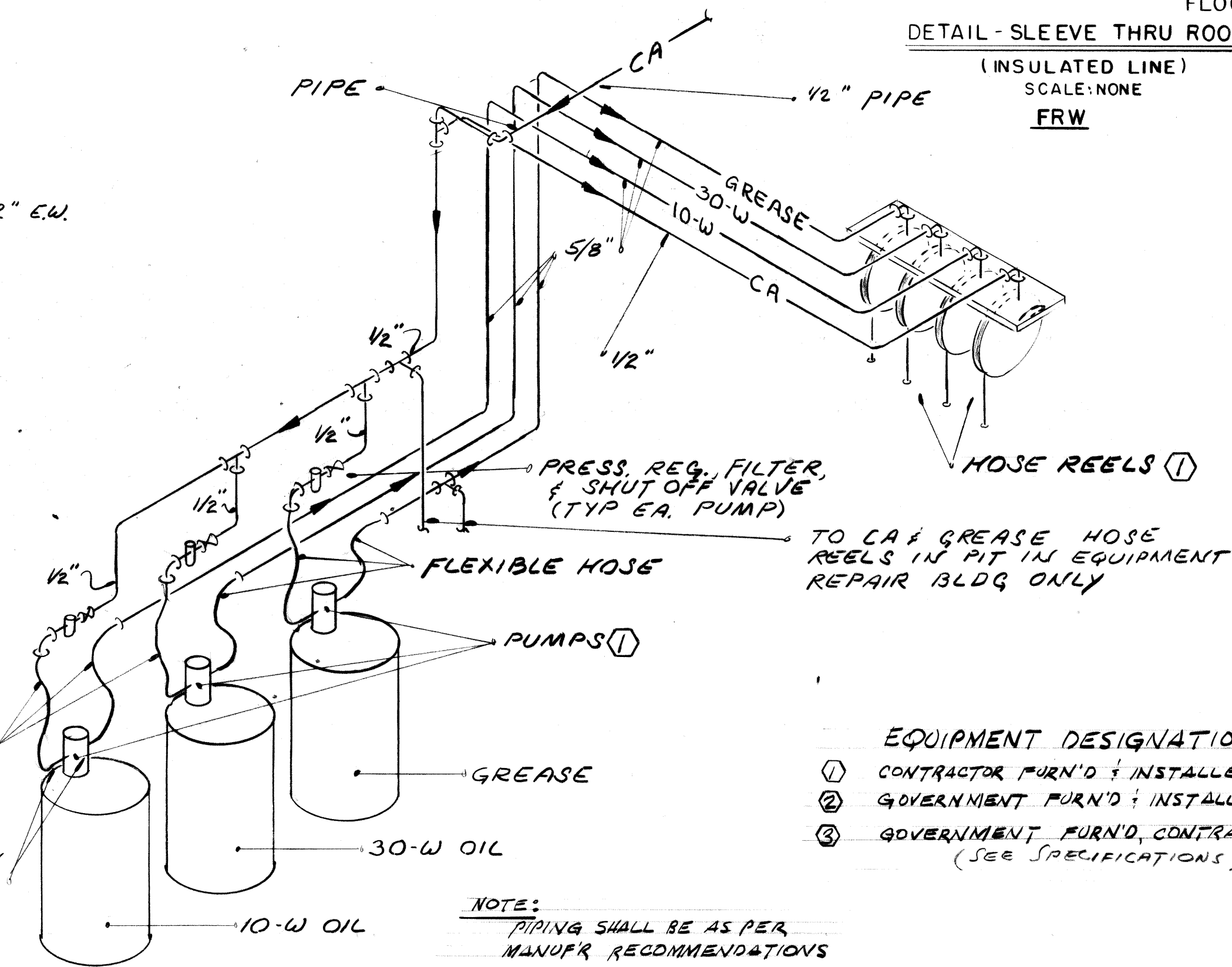
NEUTRALIZING TANK DETAIL
NOT TO SCALE



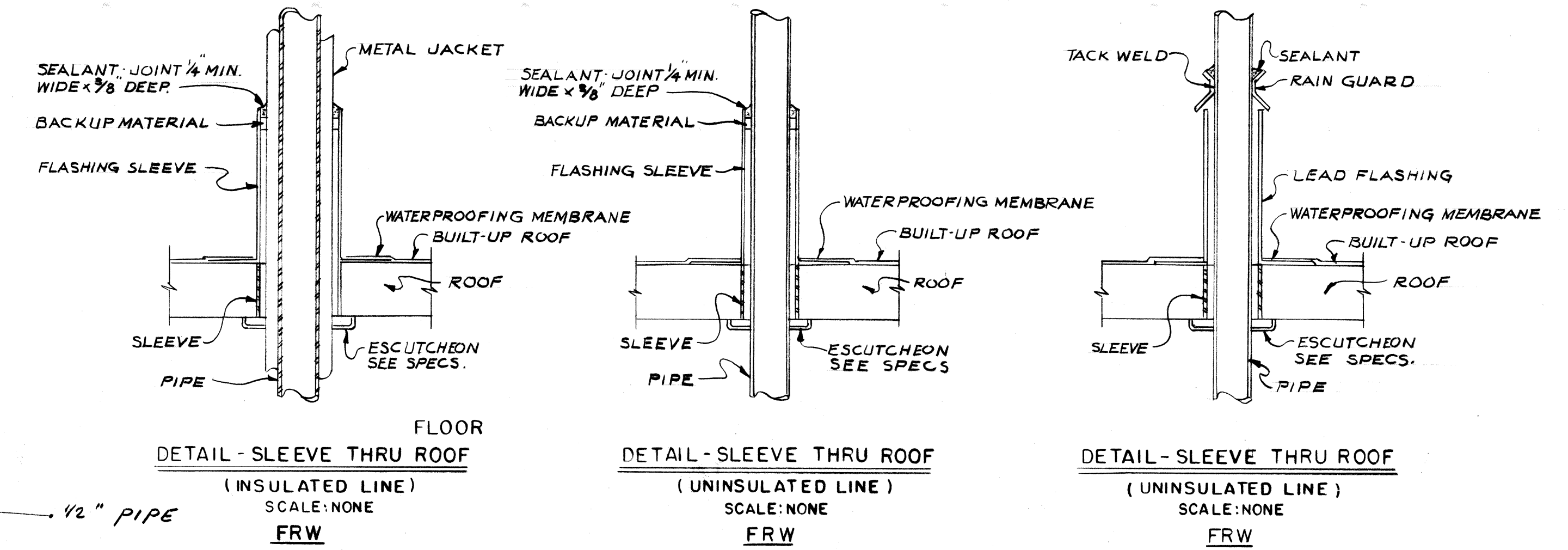
OIL SEPARATOR DETAIL
NOT TO SCALE



PIT DETAIL
NOT TO SCALE



OIL & GREASE PIPING DIAGRAM
NO SCALE



DETAIL - SLEEVE THRU ROOF (INSULATED LINE) SCALE: NONE FRW

DETAIL - SLEEVE THRU ROOF (UNINSULATED LINE) SCALE: NONE FRW

DETAIL - SLEEVE THRU ROOF (UNINSULATED LINE) SCALE: NONE FRW

- EQUIPMENT DESIGNATION**
- ① CONTRACTOR FURN'D & INSTALLED
 - ② GOVERNMENT FURN'D & INSTALLED
 - ③ GOVERNMENT FURN'D, CONTRACTOR INSTALLED (SEE SPECIFICATIONS)

ITEM NO 6

Feb 72 As Constructed		EGH
REVISION	DATE	DESCRIPTION
DALTON • DALTON • LITTLE ARCHITECTS • ENGINEERS		U.S. ARMY ENGINEER DISTRICT, LOUISVILLE CORPS OF ENGINEERS LOUISVILLE, KENTUCKY
DESIGNED: J.Z.	RAVENNA ARMY AMMUNITION PLANT ZAVENNA, OHIO	
DRAWN: K.T.	REHABILITATION OF PLANT FACILITIES & UTILITIES	
CHECKED: J.Z.		
SUBMITTED: P.C. Zwick	AUTO & TRUCK MAINTENANCE BLDG - PLUMBING PLAN	
SCALE: AS SHOWN	DATE: 2-17-70	DRAWING NUMBER: 45-BLT 37-01-08
		M-4